



TRANSPAK

TRANSPAK EQUIPMENT CORP.



**MERCURY
Model TP-702P**

THE WORLD'S VALUE LEADER
A WORLD-CLASS STRAPPING MACHINE COMPANY



MERCURY Model TP-702P

DESCRIPTION

TP-702P (with dual press) is build based on Mercury TP-702. It Carries all the innovative features and user friendly designs of Mercury TP-702. TP-702P is deal for strapping compressible material such as corrugated papers, paper sheets, bags, etc.

MAIN FEATURES

Robust & Compact Mechanical Strapping Head

- Use the latest brushless DC motor direct drive technology to provide the highest level of accuracy and reliability.
- All motors are German-made. With compact design and fewer moving parts, it can greatly minimize the maintenance cost.



Dual Pseumatic Press

- Ideal for strapping compressible package for better product stability and containment.



Free Access to Strap Guides (patents registered)

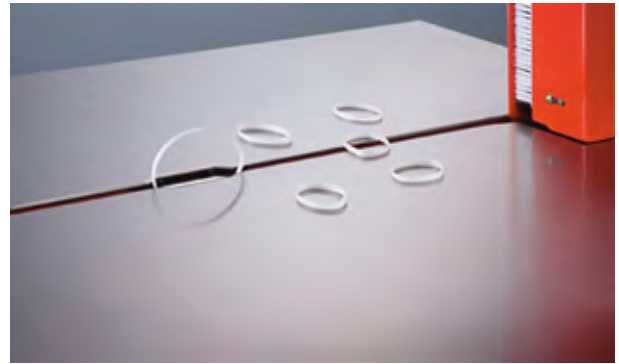
- Unblocking the guides enables free and quick access to strap guides without using any tools. The most maintenance friendly design.

TECHNICAL DATA

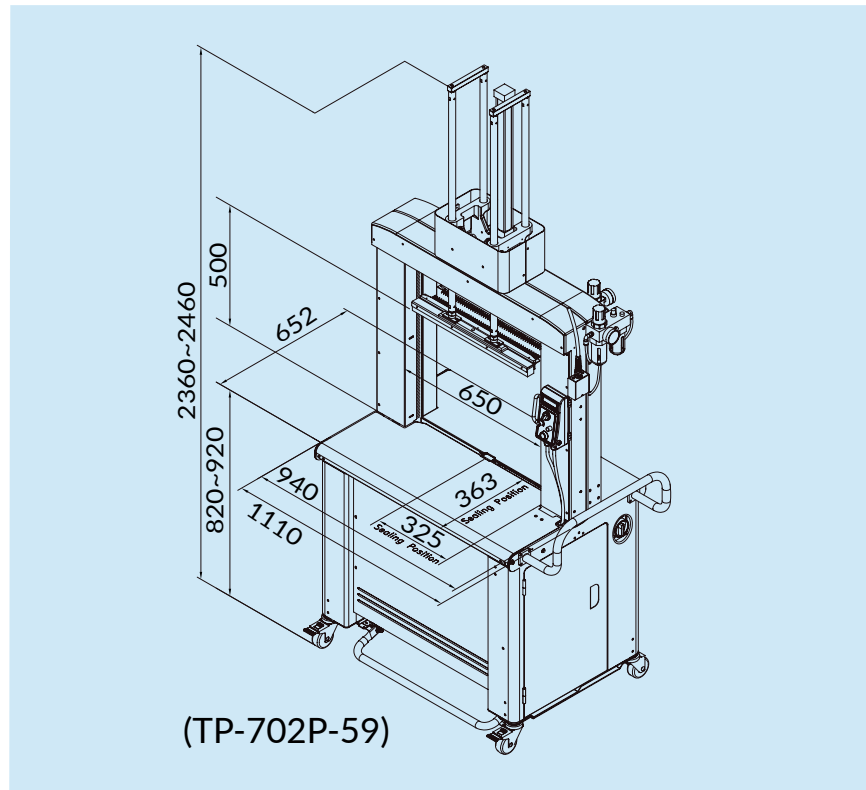
Capacity	Up to 47 Cycles/minute (TP-702P-59) Up to 44 Cycles/minute (TP-702P-12)
Strap Width	5 mm, 6 mm, or 9 mm (TP-702P-59) 12mm (TP-702-12)
Tension Range	1 - 32 Kg (TP-702P-59) 1 - 45 Kg (TP-702P-12) (Higuer tension is on request)
Weight	224 Kg (TP-702P-59) 226 Kg (TP-702P-12)
Transport Speed	15 – 60 m/minute
Electrical Requirements	110V, 220V, 230V 50/60Hz 1PH

OPTIONS

- Photo-eye switch
 - Rear foot bar switch
 - Foot pedal switch
 - Lower adjustable table height (770mm-820mm)
 - Safety Guards
 - Stainless steel frame SUS 304
- (TP-702S-59, TP-702S-12)



TP-702P-59

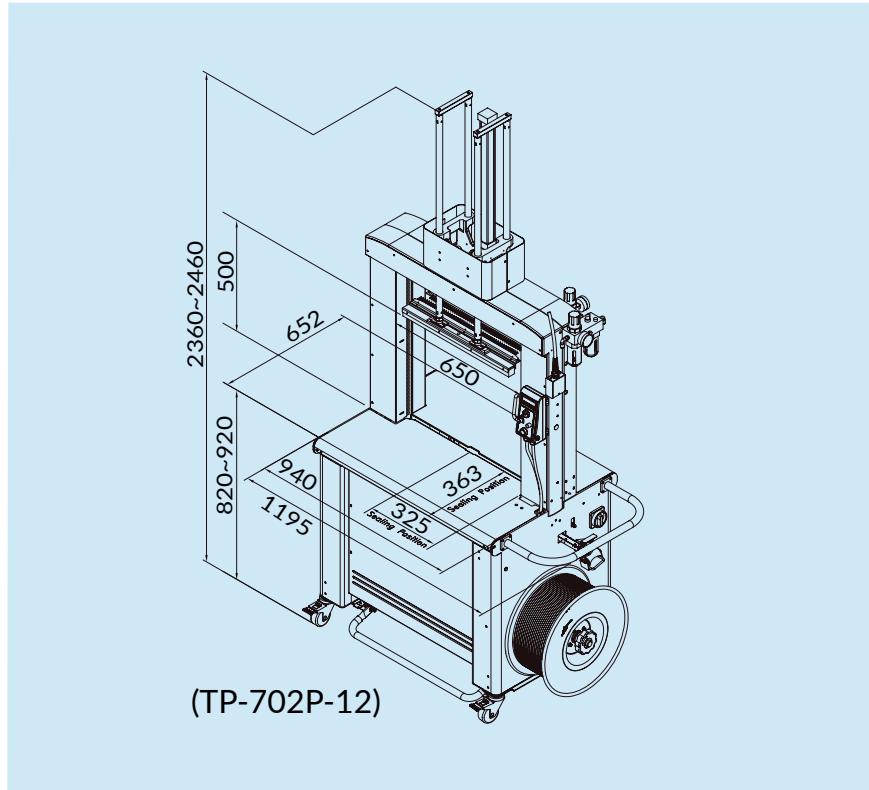


ARCH SIZES TP-702P-59 (For 5mm, 6mm, or 9mm strap)

H \ W	650	850	1050	1250	1650
500	(S)			✓	✓
600		✓			
800			✓	✓	

(S) Standard Size: 650mm (W) x 500mm (H) ✓ Means available arch size
 Arch Size: 1250mm (W) x 500MM (H) is only for TP-702-59

TP-702P-12



ARCH SIZES TP-702P-12 (For 12mm strap)

H \ W	650	850	1050	1250	1650
500	(S)				✓
600		✓			
800			✓	✓	

(S) Standard Size: 650mm (W) x 500mm (H) ✓ Means available arch size
 Arch Size: 1250mm (W) x 500MM (H) is only for TP-702-12



TRANSPAK
 TRANSPAK EQUIPMENT CORP.

MADE IN TAIWAN



17901 Von Karman Ave. Suite 600
 Irvine, CA, 92614



info@corrugatedboxequipment.com



www.corrugatedboxequipment.com



USA 949 242 9516 / 949 556 8744
 MEX 55 7587 7681 / 55 8421 91591