



# **TRANSPAK**

TRANSPAK EQUIPMENT CORP.

**TAURIS  
TP-601D**



**THE WORLD'S VALUE LEADER**  
A WORLD-CLASS STRAPPING MACHINE COMPANY



# TAURIS TP-601D

## DESCRIPTION

---

TP-601D is an enhanced automatic strapping machine for PP strapping. With the value-added features, Tauris TP-601D is the most powerful machine with the best price to performance ratio in its category for general applications.

## MAIN FEATURES

---



### Reliable and Robust Strapping Head

- Robust mechanism design and high engineering standard ensure excellent durability of the machine. Use two proximity switches to replace conventional limit switches.



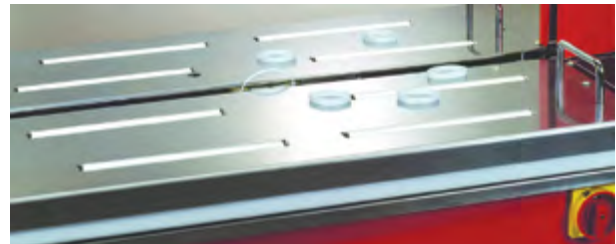
### Electronic Tension Control

- Strap tension can be adjusted accurately by a simple turn of the dial. Easy operation.



### Auto Strap Feeding

- Friendly design to feed the strap automatically from the inlet of strap feeding without the need to access to the inside of the machine. Easy strap loading.



### Auto Strap Ejector

- Loop-ejector clears unwanted strap automatically if the machine is accidentally activated without a package. Eliminates downtime.

## OPTIONS

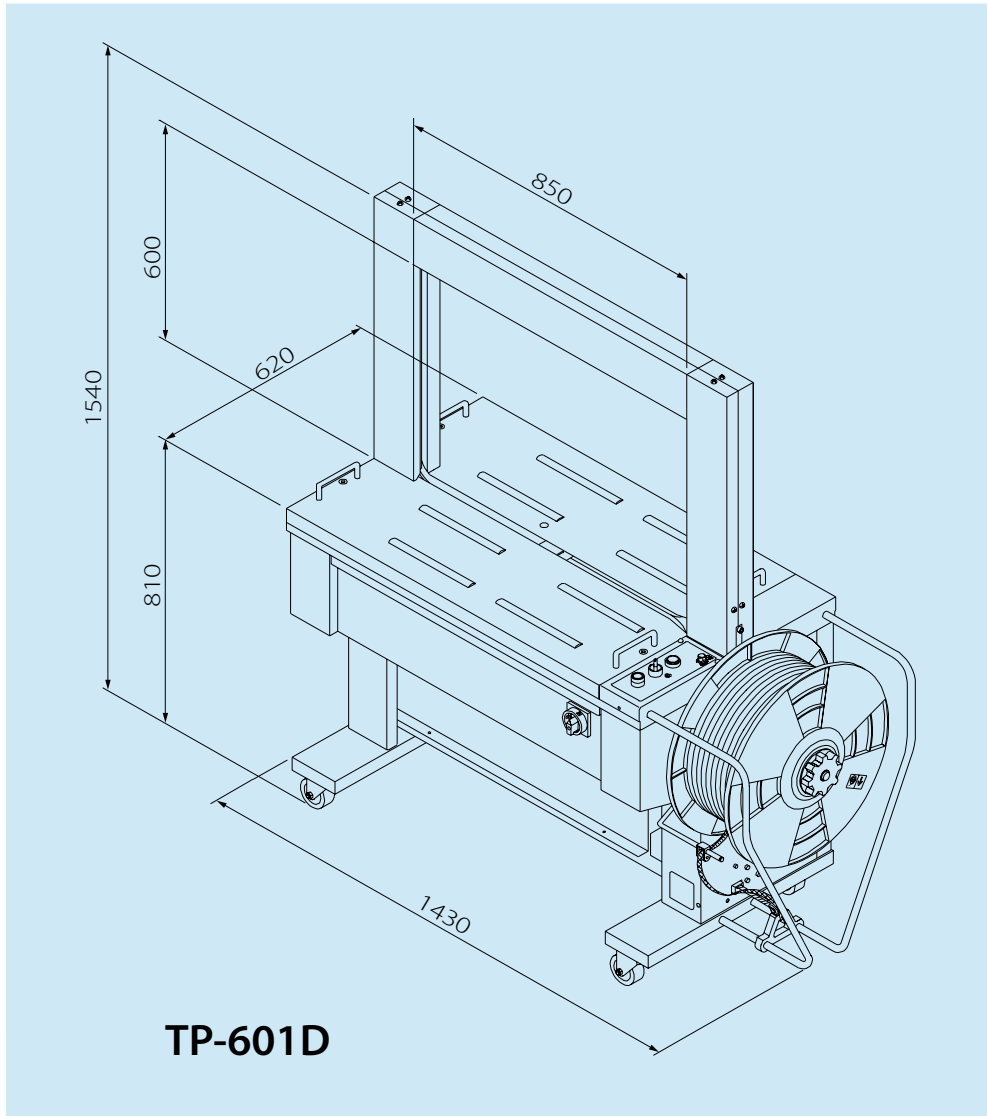
---

- Emergency stop switch
- Smoke exhaust system with carbon filter
- Table without free roller
- Pu casters

Two free and two with brake. Smooth and silent movement.

- Stainless Steel Frame SUS 304 (TP-601DS)

The frame is made by SUS 304 stainless steel. TP-601DS provides good protections for the applications in the moist environment. Complete arch can also be made in stainless steel.



## TECHNICAL DATA

<b>Capacity</b>	Up to 29 cycles/minute
<b>Strap Width</b>	8 mm, 9 mm or 12 mm
<b>Tension Range</b>	7 - 45 kg *up to 70 kg on request
<b>Maximum Package Weight</b>	100 kg
<b>Table Height</b>	810 mm
<b>Weight</b>	220 kg
<b>Electrical Requirements</b>	110V, 220V, 230V, 240V 50/60Hz 1PH 220V, 380V, 400V, 415V 50/60Hz 3PH

# TP-601D



## ARCH SIZES TP-601D

H \ W	650	850	1050	1250	1450	1650
400	✓	✓	✓	✓	✓	✓
600	✓	Ⓢ	✓	✓	✓	✓
800		✓	✓	✓	✓	✓
1000		✓	✓	✓	✓	✓
1200		✓	✓	✓	✓	✓

Ⓢ Standard Size: 850mm (W) x 600mm (H)    ✓ Means available arch size

● More arch sizes are on request



**TRANSPAK**  
TRANSPAK EQUIPMENT CORP.

MADE IN TAIWAN



17901 Von Karman Ave. Suite 600  
Irvine, CA, 92614



info@corrugatedboxequipment.com



www.corrugatedboxequipment.com



USA 949 242 9516 / 949 556 8744  
MEX 55 7587 7681 / 55 8421 91591