



TRANSPAK

TRANSPAK EQUIPMENT CORP.

MERCURY
Model TP-702



THE WORLD'S VALUE LEADER
A WORLD-CLASS STRAPPING MACHINE COMPANY

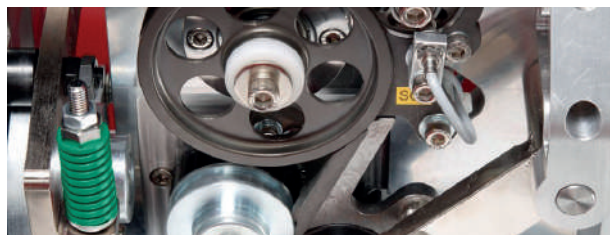


MERCURY Model TP-702

DESCRIPTION

TP-702 is an innovative world-class high speed automatic strapping machine. It is suitable for 5mm, 6mm, 9mm, or 12mm PP strapping. Equipping with all industry's standard features and creative user friendly design, Mercury TP-702 offers the most optimal performance, highest speed, easiest maintenance, and the most cost effective solution in its class.

MAIN FEATURES



Robust & Compact Mechanical Strapping Head

- Use the latest brushless DC motor direct drive technology to provide the highest level of accuracy and reliability.
- All motors are German-made. Without belts, clutches, and Pulleys, its compact design greatly minimizes the numbers of moving parts and maintenance cost.

Free Access to Strap Guides

- Hinged top plate easy access to the strapping head for quick maintenance. Unblocking the guides enables free and quick access to strap guides without using any tools. The most maintenance friendly design.

Waist-High Auto Strap Feeding

- Friendly design to feed Strap Automatically from the upper side of the coil without the need to access to the bottom of the machine.

Waist-High Quick Coil Change

- Innovative waist-high coil change without access to the bottom of the machine. Quick release lock eliminates downtime to change the coil. Ergonomic and quick change design makes coil change simpler than ever.

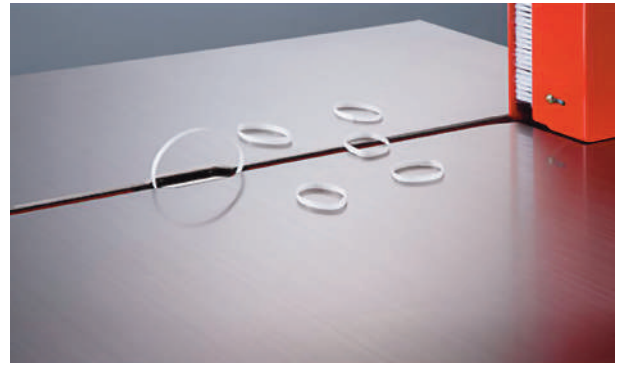


TECHNICAL DATA

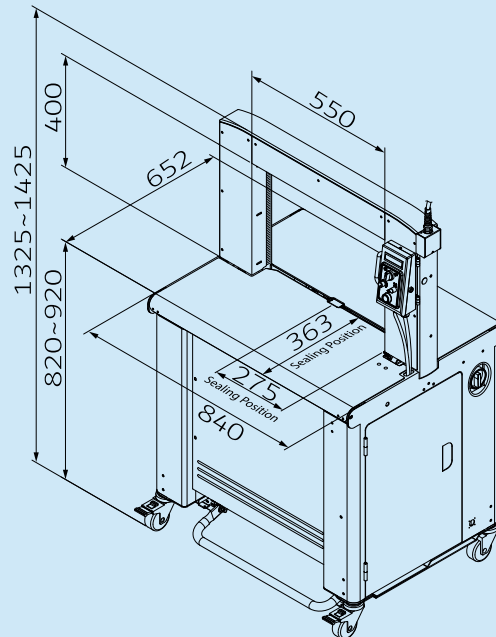
Capacity	Up to 65 Cycles/minute (TP-702-59) Up to 60 Cycles/minute (TP-702-12)
Strap Width	5 mm, 6 mm, or 9 mm (TP-702-59) 12mm (TP-702-12)
Tension Range	1 - 32 Kg (TP-702-59) 1 - 45 Kg (TP-702-12) (Higher tension is on request)
Weight	158 Kg (TP-702-59), 165 Kg (TP-702-12)
Electrical Requirements	220V, 380V, 400V 50/60Hz 3PH

OPTIONS

- Photo-eye switch
- Rear foot bar switch
- Foot pedal switch
- Lower adjustable table height (770mm - 820mm)
- Selected parts in the stainless steel
- Stainless steel frame SUS 304 (TP-702S-59, TP-702S-12)



TP-702-59

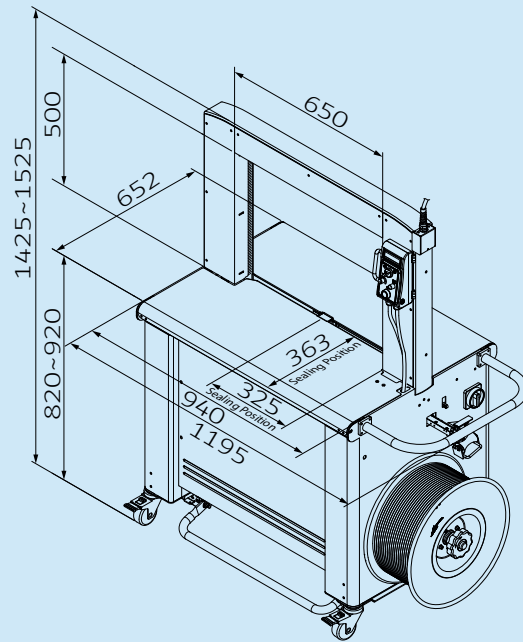


ARCH SIZES TP-702-59 (For 5mm, 6mm, or 9mm strap)

H \ W	550	650	850	1050	1250	1650	1850
400	(S)		✓				
500		✓	✓	✓	✓	✓	
600			✓				
800			✓	✓	✓		✓
1000				✓	✓		

(S) Standard Size: 550mm (W) x 400mm (H) ✓ Means available arch size

TP-702-12



ARCH SIZES TP-702-12 (For 12mm strap)

H \ W	650	850	1050	1250	1650	1850	2050	2250
400	(S)	✓						
500			✓		✓		✓	
600		✓	✓	✓				✓
800		✓	✓	✓		✓		
1000		✓		✓				
1200			✓					

(S) Standard Size: 550mm (W) x 400mm (H) ✓ Means available arch size



TRANSPAK
TRANSPAK EQUIPMENT CORP.

120 Vantis Drive, Suite 300, Aliso Viejo, CA, 92656

info@corrugatedboxequipment.com

www.corrugatedboxequipment.com

USA +1 949 242 9516

MEX +52 55 69 52 0707

MADE IN TAIWAN