



TRANSPAK

TRANSPAK EQUIPMENT CORP.



MERCURY
Model TP-702C

THE WORLD'S VALUE LEADER
A WORLD-CLASS STRAPPING MACHINE COMPANY



MERCURY Model TP-702C

DESCRIPTION

TP-702C series is a high performance strapping machine designed for the corrugated industry. It offers the high strapping productivity with the most cost-effective solution.

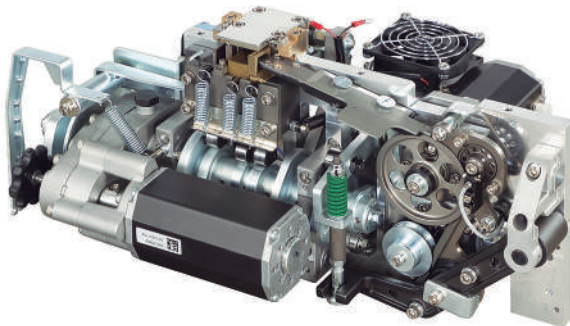
- High speed corrugated strapper TP-702C
- Corrugated 4-side bundle squaring and strapping system TP-702CQ.
- Corrugated 3-side bundle squaring and strapping system TP-702CCQ.
- Bundle Turner for corrugated carton C-BT.

MAIN FEATURES

The TP-702C corrugated strapper is built with Transpak Mercury strapping head and DC brushless motor technology.

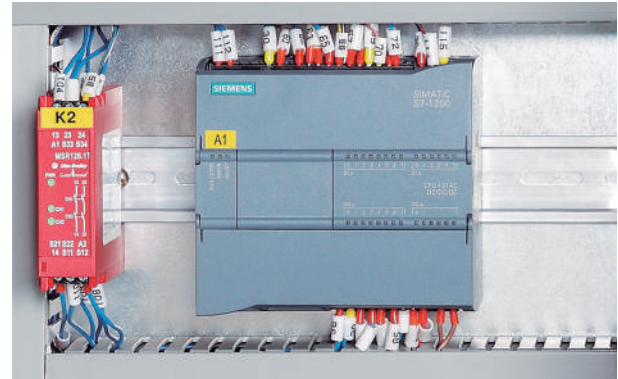
Robust & Compact Mechanical Strapping Head

- TP-702C uses the latest DC brushless motor technology to provide the highest level of accuracy and reliability on the market. All motors are German-made.



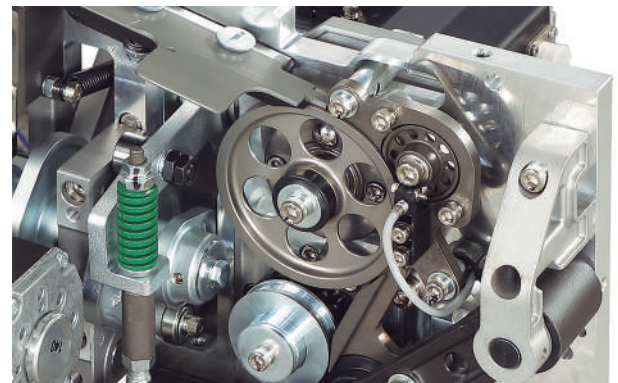
Siemens PLC Control

- Siemens PLC is the state-of-the-art controller. It is programmable and can be expanded flexibly to meet various requirements in different applications.



Free Access to Strap Guides

- Unblocking the guides enables free and quick access to strap guides without use of any tool.
- The most maintenance friendly design.



Hinged Roller Table

- Easy to open the table top if maintenance is required. Ergonomic design.



TP-702C



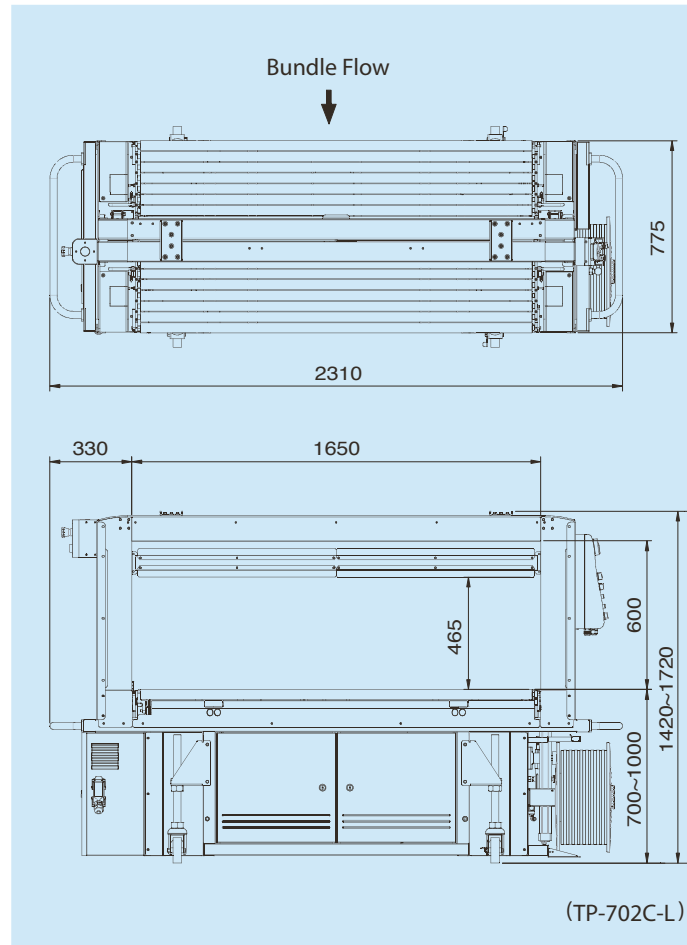
TECHNICAL DATA

Capacity	Up to 33 bundle/minute 20 bundle/minute (double straps)
Strap Width	5 mm, 6 mm, or 9 mm PP stra
Strap Tension	1 - 32 Kg
Minimum Bundle Size	300 mm(L) 200 mm(W) 20 mm(H)
Bundle Weight	Max 40 kg
Transport Speed	15 – 60 m/minute
Electrical Requirements	220V, 380V, 400V 50/60Hz 3PH



ARCH SIZES TP-702C (mm)

		M	L	XL
H	W	1250	1650	2050
		✓	✓	✓



TRANSPAK
TRANSPAK EQUIPMENT CORP.

MADE IN TAIWAN

📍 120 Vantis Drive, Suite 300, Aliso Viejo, CA, 92656

✉ info@corrugatedboxequipment.com

🌐 www.corrugatedboxequipment.com

🇺🇸 USA +1 949 242 9516

🇲🇽 MEX +52 55 69 52 0707