



# **TRANSPAK**

TRANSPAK EQUIPMENT CORP.



**GENESIS  
TP-502**

**THE WORLD'S VALUE LEADER**  
A WORLD-CLASS STRAPPING MACHINE COMPANY



# Genesis TP-502

## DESCRIPTION

TP-502 Genesis is a new generation semi-auto strapping machine. It uses direct drive technology with German-made DC motors which ensures high reliability and durability of the machine. Its compact design greatly minimizes the numbers of moving parts, requires fewer adjustments, less maintenance, and has fewer wear components.



## MAIN FEATURES



### Compact Mechanical Strapping Head

- With 30% less moving parts than conventional machines substantially reduces maintenance issues. There are no belts, chains, or pulleys. Extremely low noise sealing head.

### Electronic Tension Control

- Adjustment for strap tension (8-45 kg) can be easily done on the front control panel.



### Jog Switch

- Using the "Jog switch" to adjust the machine to exactly the correct position for maintenance.

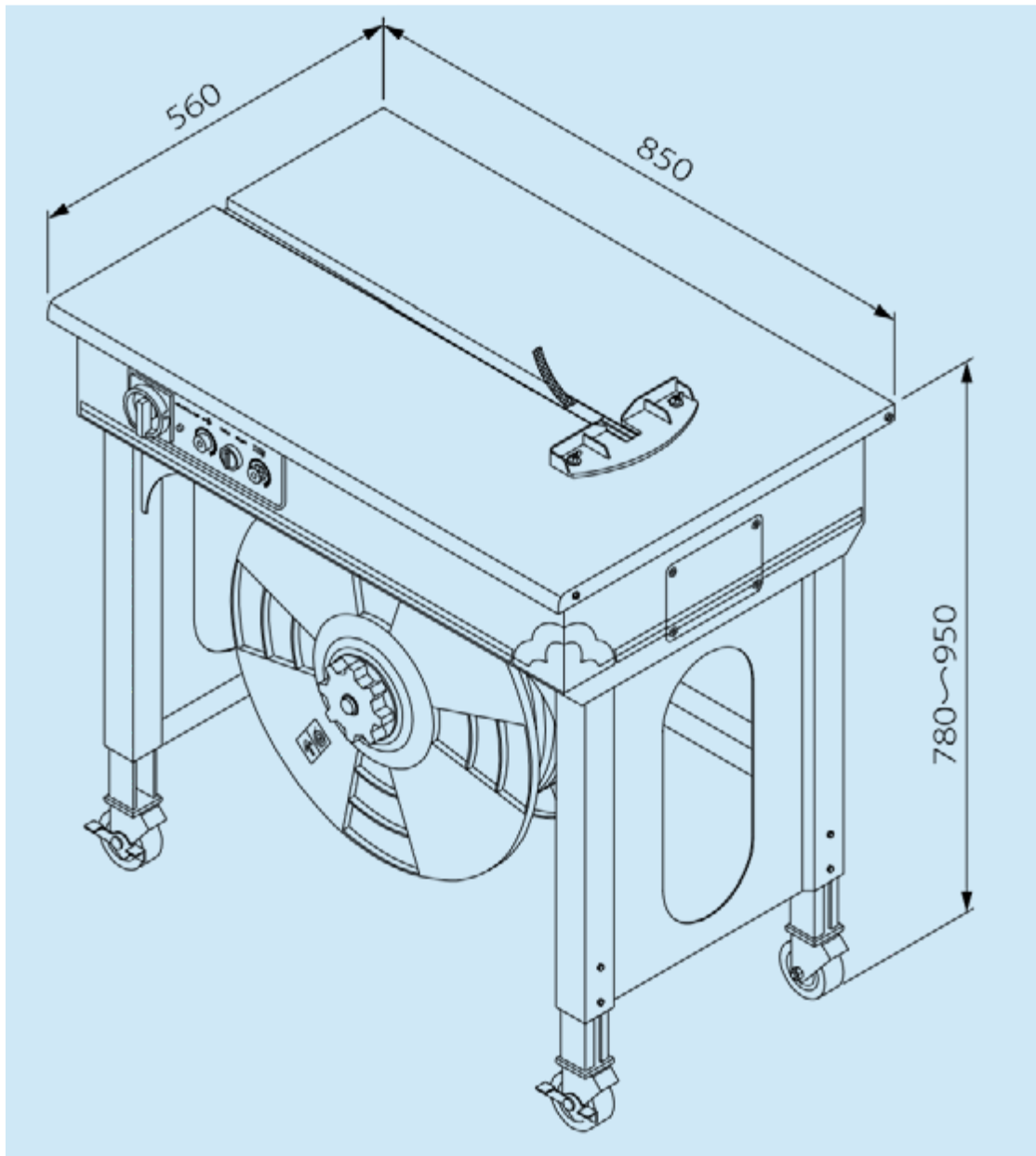


### Adjustable Weld-Cooling Time

- The weld cooling time can be increased to ensure high joint efficiency under high tension

## OPTIONS

- Safety switch under the table top.



## TECHNICAL DATA

Tension Range	8 -45 kg
Strap Width	5 mm - 12 mm or 12 mm - 15.5 mm
Table Height	780 - 950 mm
Weight	70 kg
Electrical Requirements	110V, 220V, 230V, 240V 50/60 Hz 1 PH

# TP-502



**TRANSPAK**  
TRANSPAK EQUIPMENT CORP.

MADE IN TAIWAN



17901 Von Karman Ave. Suite 600  
Irvine, CA, 92614



[info@corrugatedboxequipment.com](mailto:info@corrugatedboxequipment.com)



[www.corrugatedboxequipment.com](http://www.corrugatedboxequipment.com)



USA 949 242 9516 / 949 556 8744  
MEX 55 7587 7681 / 55 8421 91591