

AMC

High Speed EDGE BOARD PROTECTOR LINE

Model ZJK-I20G

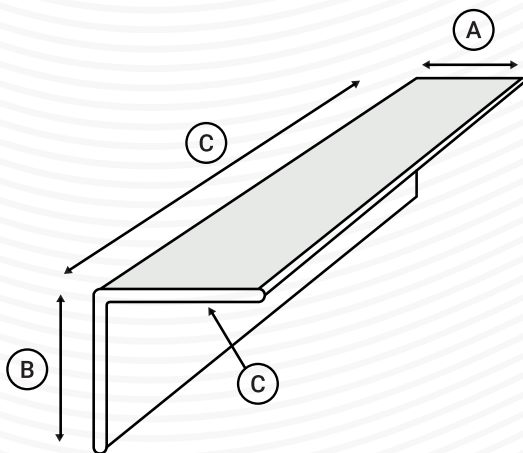


Edge Board Protectors are made of multiple plies of recycled paper laminated together and formed into a rigid right angle. The Protectors are precisely cut to length. Edge Board Protectors improve tension transmission of strapping and afford product edge protection from strapping damage.

The Edge Board Protector is a packaging accessory that is used as a reinforcement to improve load resistance against vibrations and tension, reduce product damage, higher strap tension, more secure loads, enhances the stacking strength of palletized goods, prevent surface scratches, repels and absorbs corner damage.

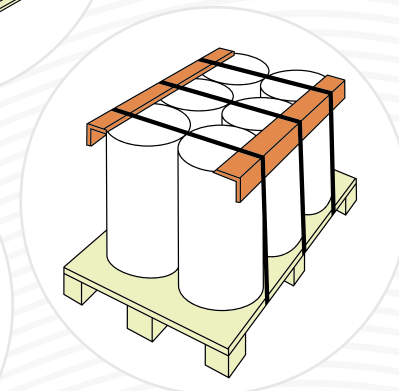
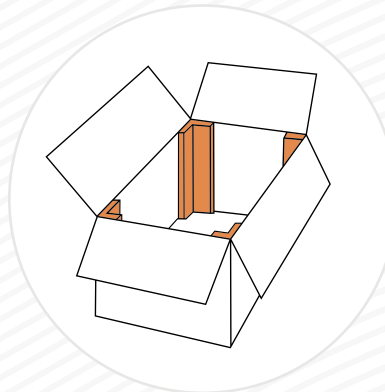
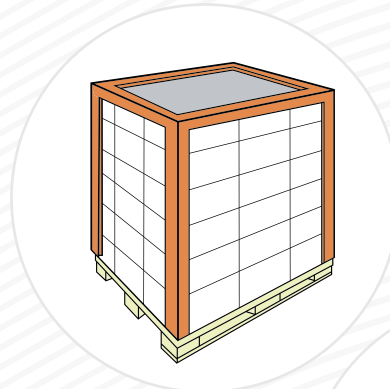
Edge Board Protector is an excellent replacement for wood packaging, can be sized to serve any size load or container, ideal for applications requiring internal support, serves a variety of packaging functions, including edge protection, unitization, load stability, beam strength and stacking strength.

Edge Board Protector sizes are based on the following dimensions.



Code	Description
A	Leg Length One
B	Leg Length Two
C	Caliper
D	Length

 Edge Board Protector are made from 100% recycled materials and are 100% recyclable.



The perfect edge to protect your product line.

CHARACTERISTICS

- 1.- High Speed Edge Board Protector Line ZJK-120G is fully automated, incorporated with a PLC control panel for enabling user friendly operations.
- 2.- Equipped with a unique and advanced technology.
- 3.- Ensure consistent and continuous production.
- 4.- Stringently tested on various standard quality parameters, like functioning, efficiency and maintenance.
- 5.- Two motors for adjusting speed synchronously to provide bigger driving force.
- 6.- Paper Roll lifting system with electric hoist to save labor.
- 7.- Cascade type gluing unit.
- 8.- Automatic counter for calculating production.

SPECIFICATIONS

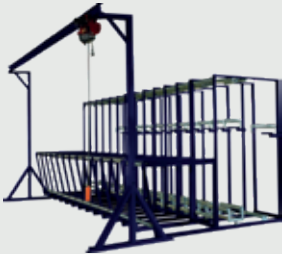
HIGH SPEED EDGE BOARD PROTECTOR LINE Model ZKJ-120G			
Electrical Requirements <i>*Could be Customizable</i>		Product	Edge Board Protector Line
		Brand	AMC
Voltage	440 V+/- 5%	Model	ZJK-120G
Phase	3PH + PE	Origin	China
Frequency	50/60Hz	Application	Making L Profile Protector
Operating Conditions		Dimensions	
Operating Temperature (°C)	10 - 50°C	length	32000 mm
Operating temperature Maximum (°C)	50°C	Width	3500 mm
Ambient Temperature Installation (°C)	Min. 10°C Max. 50°C	Height	2600 mm
Relative Moisture	Min. 45% Max. 75%	Weight	6500Kg
Altitude (m)	100m Above Sea Level	Required Floor Area 35000 x 4000 mm	
Technical specifications			
Working Speed		Max. 70m/min	
Edge Protector Length	Speed	Length Min.	Length Max.
	70m/min	2000 mm	No. Limit
	60m/min	1500 mm	No. Limit
	50m/min	1000 mm	No. Limit
	40m/min	1000 mm	No. Limit
	30m/min	800 mm	No. Limit
	8m/min	300 mm	No. Limit
Edge Protector Size	Min Size: 30mm Subject to the following restrictions: 1) Edge Board Thickness No Greater than 4 mm 2) Speed No Greater than 30m / min Max size: 110mm Subject to the following restrictions: 1) Edge Board thickness No Greater than 3 mm 2) Speed No Greater than 30m / min COULD BE SYMMETRICAL AND ASYMMETRICAL		

<p>Edge Protector Thickness</p>	<p>Min thickness: 2.5mm Subject to the following restrictions: 1) Edge Board Size No Greater than 110 mm 2) Speed No Greater than 30m / min</p> <p>Max thickness: 10mm Subject to the following restrictions: 1) Edge Board Size No Greater than 90 mm 2) Speed No Greater than 30m / min</p>														
<p>Edge Protector Angle</p>	<table border="1"> <thead> <tr> <th>Speed</th> <th>Angle</th> </tr> </thead> <tbody> <tr> <td>70m/min</td> <td>120° - 130°</td> </tr> <tr> <td>60m/min</td> <td>95° - 110°</td> </tr> <tr> <td>50m/min</td> <td>85° - 95°</td> </tr> <tr> <td>40m/min</td> <td>85° - 90°</td> </tr> <tr> <td>30m/min</td> <td>85°</td> </tr> <tr> <td>8m/min</td> <td>80°</td> </tr> </tbody> </table>	Speed	Angle	70m/min	120° - 130°	60m/min	95° - 110°	50m/min	85° - 95°	40m/min	85° - 90°	30m/min	85°	8m/min	80°
Speed	Angle														
70m/min	120° - 130°														
60m/min	95° - 110°														
50m/min	85° - 95°														
40m/min	85° - 90°														
30m/min	85°														
8m/min	80°														
<p>In-line Printer</p>	<p>25 - 110 mm Corner Size Flexographic Printing in one color Printing Cylinder Diameter 180 mm</p>														
<p>Inner Paper Grammage</p>	<p>420 - 600 g / m² Recycled paper the surface of the paper should be rough</p>														
<p>Surface Paper Grammage</p>	<p>175 - 250 g / m² Kraft</p>														
<p>Paper Roll Core Diameter</p>	<p>3" (76mm) (Customizable)</p>														
<p>Glue</p>	<p>Content 1: Kaolin (Al₂O₃ • 2SiO₂ • 2H₂O) Content 2: Polyethylene (PE) (C₂H₄) n The solid percentage is 15% -25%.</p>														
<p>Paper Roll Diameter</p>	<p>1500 mm (Max)</p>														
<p>Layers</p>	<p>3-13</p>														
<p>Compressed Air Requirement</p>	<p>0.8MPa/0.2m³</p>														

MODULES

Inner Paper Stand

Used for holding inner paper rolls, replace the paper rolls with an electric hoist to help load paper in order to reduce work intensity.



Surface Paper Stand

Is an independent paper stand, used for holding the surface layer paper roll for making the edge board protector.



Inline Flexo Printer

The inline printer is designed for single color printing only, simple structure make it easy to operate.



Gluing Unit

Cascade type gluing system, with automatic feeding by diaphragm pump, electrical heating with temperature control system, to ensures glue good quality even in low temperature.



Combination Stand

Each layer paper will pass through this combination stand, so that can make sure all layers will be laminated well.



Wrapper

In this unit the surface layer paper wraps the inner layers paper.



Pre-Forming Unit

In this unit start the forming of the edge board angle.



Heater

Use infrared ray heater to help drying the edge board when it pass through this heater unit. Temperature is adjustable.



Forming Unit

The control of all system is done in this unit, working speed, edge board protector length, production quantity, etc.



Cutter

Cutting unit is controlled by servo motor, so it can control cutting accuracy on the edge board protector.



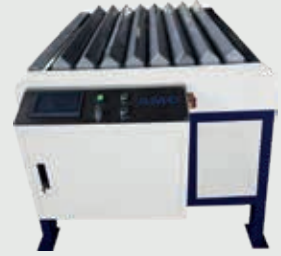
Transmitting Table

The transmitting table transports the previously cut edge board to the stacking table.



Counter Stacker

The stacking stand will collect the edge board after cutting off.



APPLICATIONS

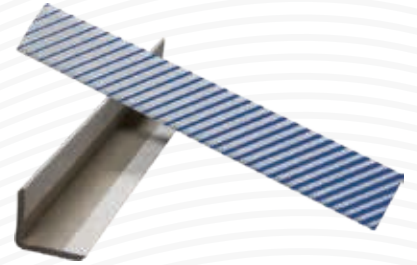
Kraft Edge Board



WhiteEdge Board



Printed Edge Board



*Advertise your brand with a custom color and/or logo.

BOX



17901 Von Karman Ave. Suite 600
Irvine, CA, 92614

✉ info@corrugatedboxequipment.com

🌐 www.corrugatedboxequipment.com

📞 USA 949 242 9516 / 949 556 8744
MEX 55 7587 7681 / 55 8421 91591